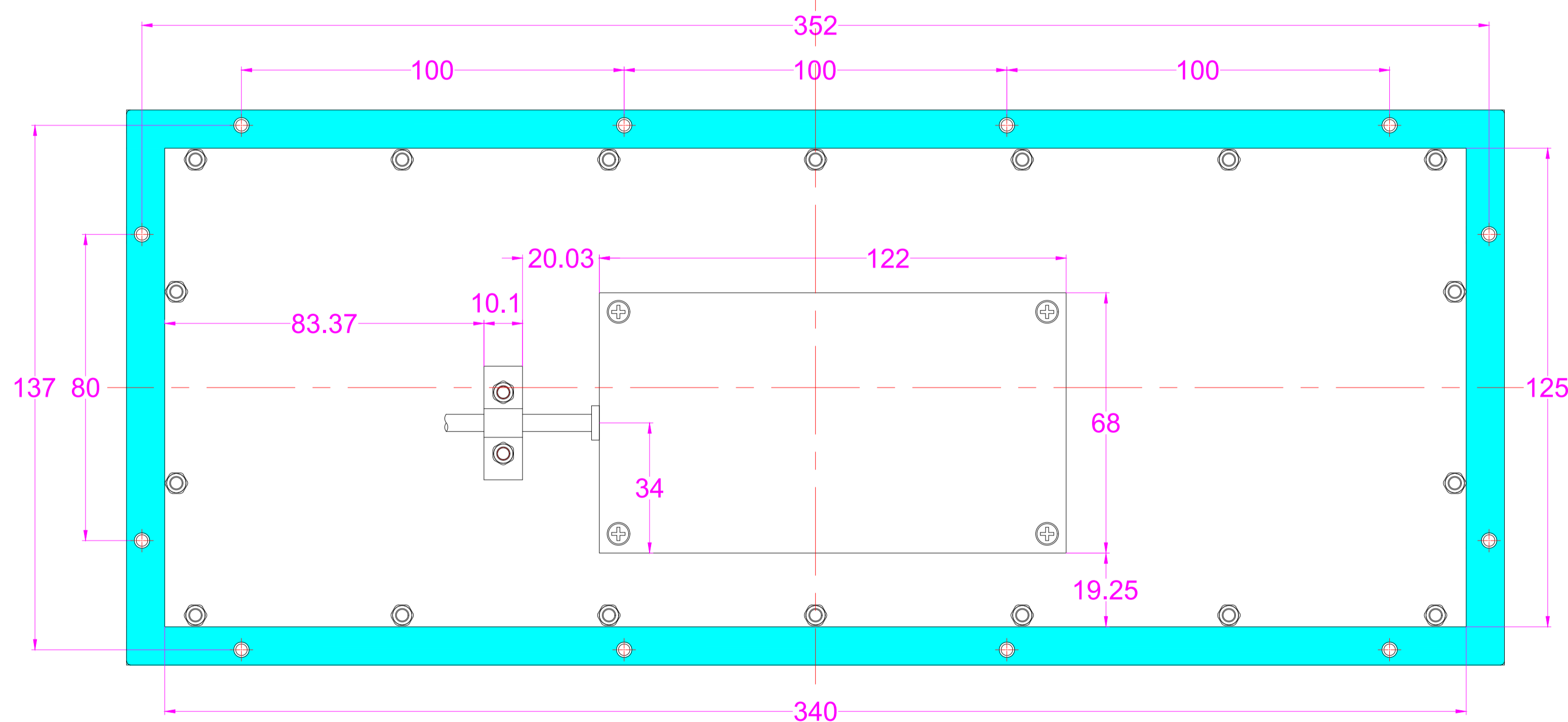
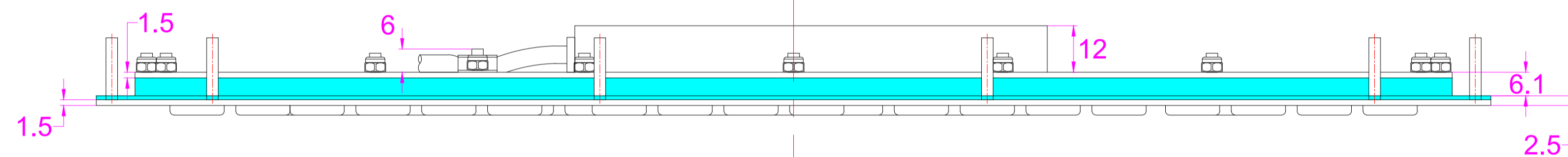
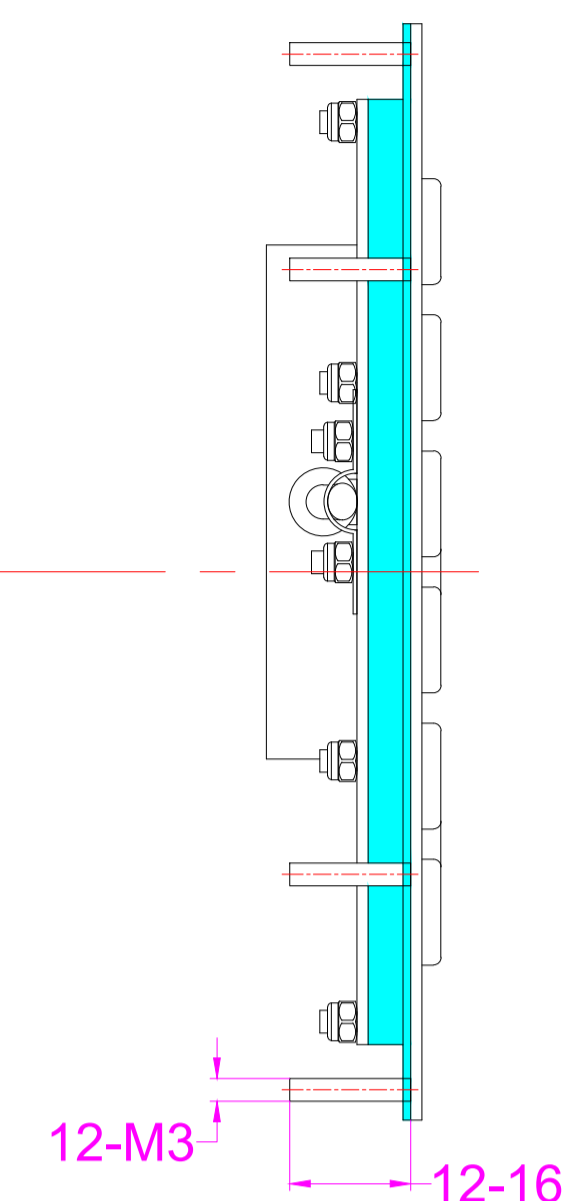
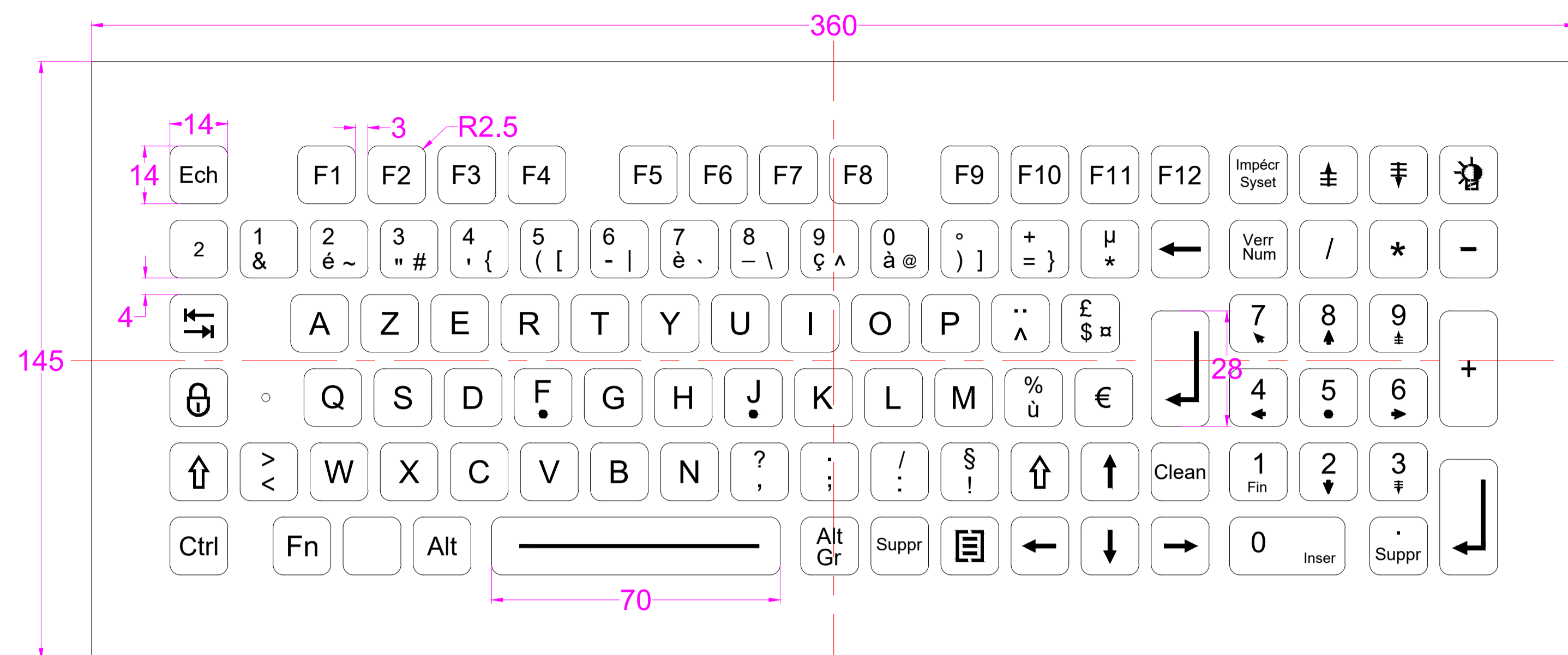
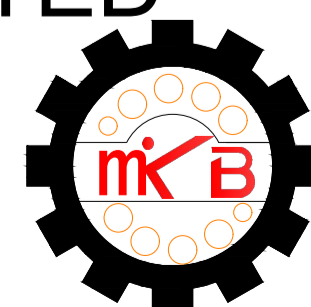


Date	Changes	REV
19.05.2022	Original	1.0



KEY TECHNOLOGY(CHINA)LIMITED

深圳市键特电子有限公司



www.key-tek.cn

www.ikb-mkb.com

Part Name				Project Name			
Part No.	K-TEK-A360KP-FN-BL-DWP 法文键面			Project No.			
Material				Scale	1:1	Unit	mm
Date	19.05.2022	Version	1.0	Tolerance	IT12	Sheet	1 of 1
Designed	Zou Chao	Audited		Tony Deng	Approved		